

Assembly Instruction for LC-1EY-HGS-(R,A,G,B,W)

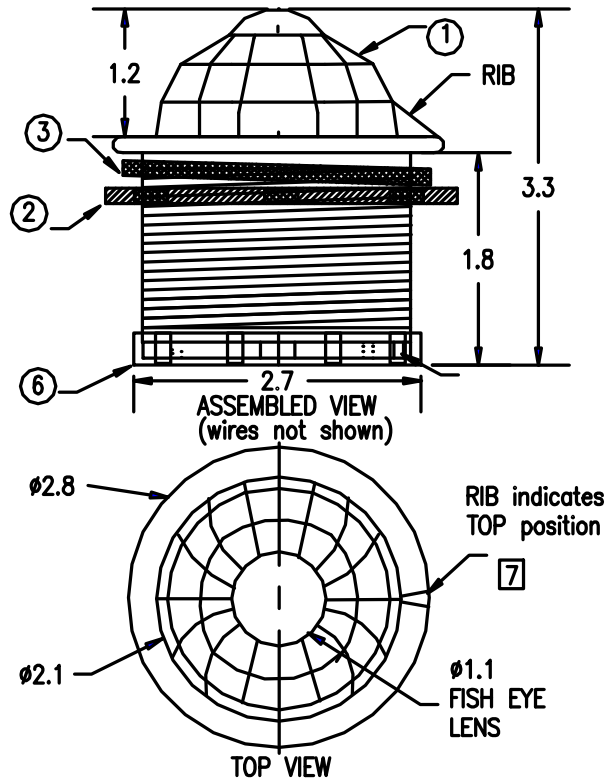
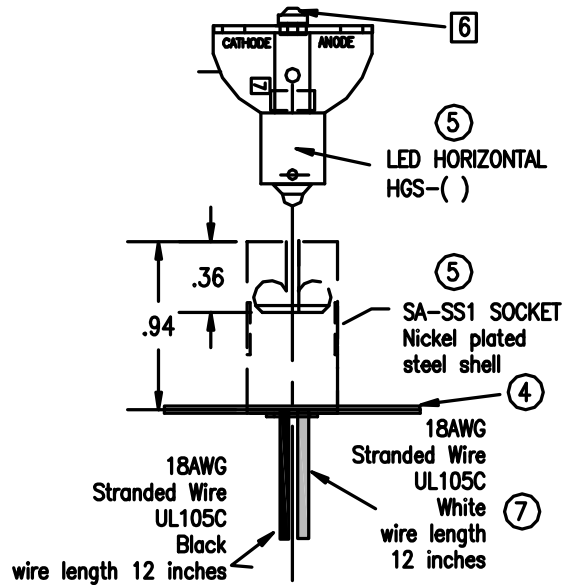
SUBASSEMBLY / PACKAGE CONTENTS: LC-1EY-HGS-(R,A,G,B,W) (red or amber or green or blue or white LED)

- O-Ring, 2 inch
- O-Ring, 2 3/8 inch
- LED subassembly, 2 wire, which includes: SA-SS1 socket assembly, and HGS-(White, Red, Amber, Green, Blue) LED
- Nut, Mounting, 2 3/8 inch
- Nut, Flange, grey, 2.5 inch
- Drawing LC-1EY-HGS

PROCEDURE:

- 1) Prepare mounting hole in instrument housing, as required, with 2 3/8" diameter carbide cutter (not provided, GEMS Part Number IL-CHC2), remove burrs.
- 2) Begin disassembly of package from rear. Remove grey flange nut.
- 3) Remove LED subassembly from lens.
- 4) Unscrew 2 3/8" flange nut from lens.
- 5) Prepare 2.4"-2.5" mounting hole in the building at desired location if one is not present.
- 6) Insert lens into hole aligning it so the rib on the rim of the lens is at the top position and the fish eye lens is in a vertical position.
- 7) Secure the lens in position using the 2 3/8" mounting nut and seal the O-Ring against the outside of the building.
- 8) Insert the LED subassembly unit into the lens.
- 9) Hold the unit in place by finger tightening the grey socket flange nut, usually about one turn onto the back of the lens.
- 10) Check LED assembly outside of the lens surface to assure the LED is visible through the fish-eye lens.
- 11) Attach the white wire to the "plus" side of the battery bus, and the black wire to the "minus" side of the battery bus (SYSTEM GROUND).
- 12) TEST: Turn the AC or DC power on and check to see the LED unit is illuminated (steady light).

INSTALLATION DRAWING
LC-1EY-HGS-(R,A,G,B,W)



- 8 DC OPERATION 12V AC or DC nominal (STEADY ON LED)
- 7 Mount LC assembly with rib at top vertical position
- 6 LED 1 ea

PART OR IDENTIFYING NO.	CONTROL NO.	NOMENCLATURE OR DESCRIPTION	MATERIAL SPECIFICATION	ITEM NO.
AI-LC-1EYE		ASSEMBLY INSTRUCTIONS		8
CSA AWM 1A FTI		WIRE, BLACK (GND), WHITE (SIGNAL)	18AWG, 600V, 105C	7
BUS-2		NUT, FLANGE, 2.5"		6
HGS-(R,A,G,B,W), SA-SS1		HORIZONTAL LED SUBASSEMBLY, 2 WIRE		5
O RING 2"		O-RING 2"	RUBBER	4
O RING 2 3/8"		O-RING 2 3/8"	RUBBER	3
NT-2		NUT, MOUNTING, 2 3/8"	SST	2
LC-1EY		LENS, CLEAR, 1 EYE	LEXAN, PC	1